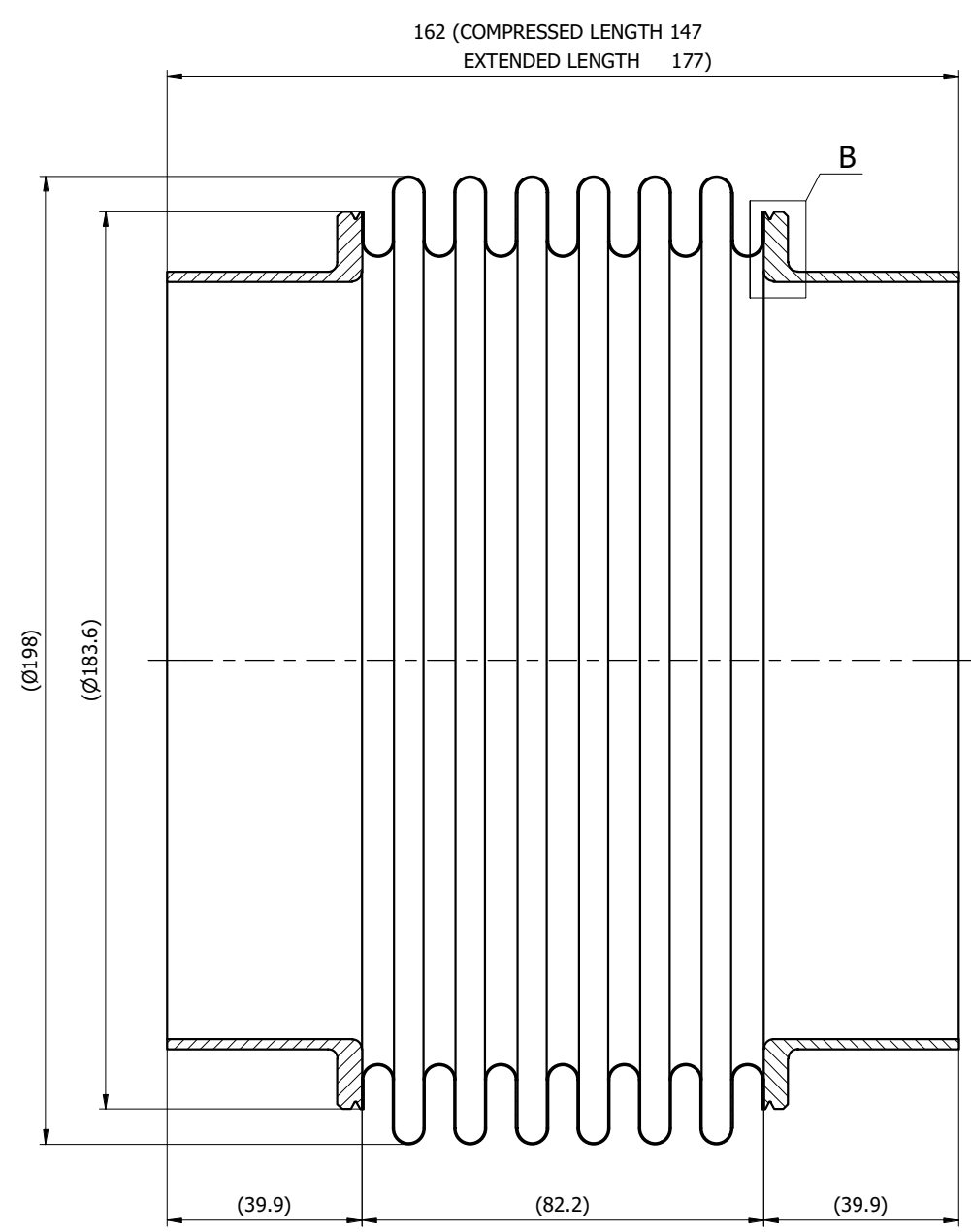
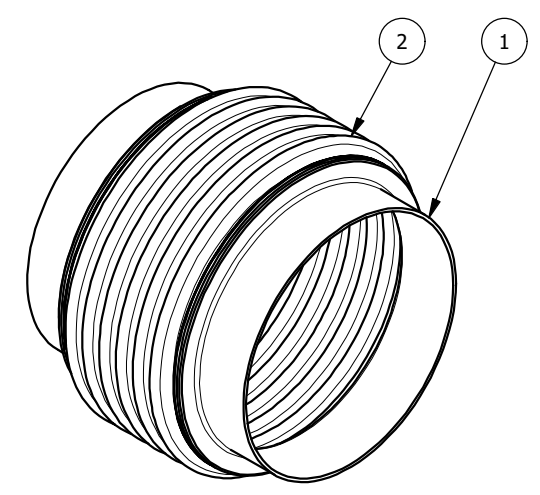
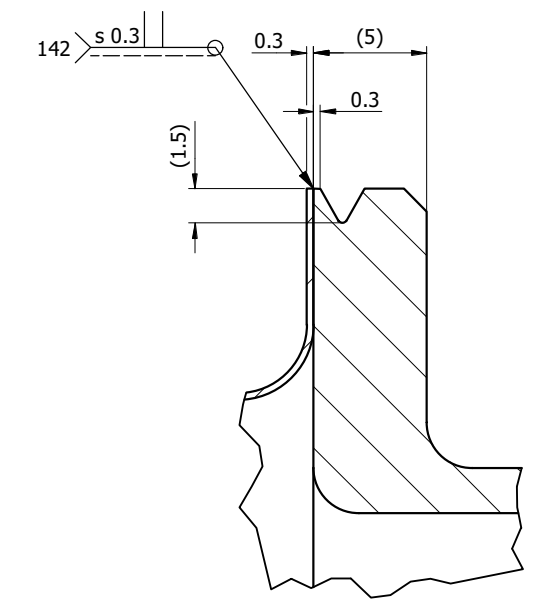


Sez. A-A



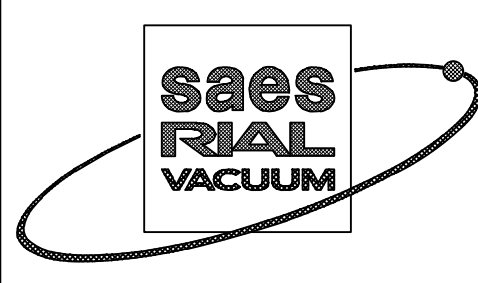
Det. B (2x)



|                         |           |                        |
|-------------------------|-----------|------------------------|
| APPLICARE LE PROCEDURE: | WLB-23130 | APPLICABLE PROCEDURES: |
|                         | SLT-1     |                        |
|                         | DCC-2     |                        |
|                         | CLN-2     |                        |
|                         | VLC-2     |                        |

| 2    | BELLOW DN 150 | 1     | AISI 316L | 23130-1-23       |
|------|---------------|-------|-----------|------------------|
| 1    | COLLAR        | 2     | AISI 316L | 23130-1-11       |
| POS. | DESCRIZIONE   | Q.TA' | MATERIALE | DIM. GREZZE/COD. |

| TOLLERANZE GENERALI |  | < 6   | 6-30  | 30-120 | 120-400 | 400-1000 | >1000 | < 10 | 10-50 | 50-120 | 120-400 | > 400  |       |
|---------------------|--|---|-------|--------|---------|----------|-------|------|-------|--------|---------|--------|-------|
| General tolerances  |  | UNI EN ISO 22768 - fH <input type="checkbox"/>            | ±0.05 | ±0.1   | ±0.15   | ±0.2     | ±0.3  | ±0.5 | ±1°   | ±0°30' | ±0°20'  | ±0°10' | ±0°5' |
|                     |  | UNI EN ISO 22768 - mK <input checked="" type="checkbox"/> | ±0.1  | ±0.2   | ±0.3    | ±0.5     | ±0.8  | ±1.2 |       |        |         |        |       |



A TERMINI DI LEGGE CI RISERVIAMO LA PROPRIETA' DI QUESTO DISEGNO CON DIVIETO DI RIPRODURLO O DI RENDERLO COMUNE NOTO A TERZI SENZA LA NOSTRA AUTORIZZAZIONE

AS BY LAW ENACTED WE RESERVE THE RIGHT OF OWNERSHIP OF DRAWING. THE DOCUMENT AND INFORMATION CONTAINED HEREIN MAY NOT BY COPIED USED OR DISCLOSED WITHOUT OUR PERMISSION

SIMBOLI DI RUGOSITA' ISO 1302  
Symbols for roughness ISO 1302

SCALA Scale 1:1

FORMATO Size A3

|   |                          |                          |                                     |
|---|--------------------------|--------------------------|-------------------------------------|
| SPIGOLI NON QUOTATI ISO 13715<br>Edges of undefined shape ISO 13715 |                          | <input type="checkbox"/> | <input checked="" type="checkbox"/> |
| 11/09/2023  | DISEGNATO<br>Draw        | DANIELE EBRI             | 11/09/2023                          |
| 11/09/2023  | VERIFICATO<br>Controlled | MARCO CANETTI            | 11/09/2023                          |
| 11/09/2023  | APPROVATO<br>Released    | ANTONIO CORSI            | 11/09/2023                          |

|                            |                  |            |                       |
|----------------------------|------------------|------------|-----------------------|
| DESCRIZIONE<br>Description | BELLOW WITH ENDS | 23130-1-10 | REVISIONE<br>Revision |
|----------------------------|------------------|------------|-----------------------|